

PocketBook®

User Manual PocketBook 612



Table of Contents

Safety precautions	6
Appearance and controls	9
Controls and Indicators	11
PocketBook 612 Technical Characteristics	13
Getting started.....	14
Modes of device operation	16
Software functions.....	17
Main Menu	17
Last Open Books	18
Main Panel.....	18
Widgets.....	20
Status bar	21
Main panel elements	23
Library.....	23
BookLand Electronic Library	26
Loading of the protected electronic books (DRM).....	28
Downloading of protected books	29
Book Borrowing	31
Notes	32
Favorites	33
Registration.....	35
Photo	35
Dictionary.....	38
Additional dictionaries	39
Applications	39
Engineering Calculator	40
Clock.....	40
Chess	40
Solitaire.....	40
Scribble.....	40

Sudoku	41
Snake	41
Browser	42
PocketNews.....	43
Links	44
Music	45
Search	46
Configuration	47
Adding New Books and Book Reading	56
Fast Access Menu	57
Search	58
Contents	58
Voice.....	59
Notes	59
Bookmarks.....	61
Open page... ..	62
Settings.....	62
Dictionary.....	63
Rotate	63
Zoom	64
Active Content.....	65
Switch to Structured Table of Contents.....	67
Express menu.....	68
Listening to Music.....	70
TTS (Text To Speech)	72
Actions with voice packs.	73
Selection of voice pack.....	73
Deleting a voice pack.	73
Installing voice pack	74
Presetting Internet Connection.....	75
Bluetooth connections.....	76
Wi-Fi connection	77
Internet connection lost.....	80

Using the stylus.....	80
Working with the keyboard	82
Connecting Bluetooth audio device	83
Connecting Bluetooth keyboard.	85
Possible Malfunctions and Troubleshooting.....	87
Customer Support.....	90
Software version update	91
Manual Update.....	91
Automatic update	92
Troubleshooting.....	93
Compliance with international standards	94

Thank you for purchasing PocketBook 612!

Before you start using this PocketBook 612 please read this Manual carefully. You will learn how to ensure your own safety and extend the service life of your device.

If any of the following safety measures have not been complied with or defects/faults are observed please contact the authorized service center to check your device. Failure to comply with this requirement may cause the device to malfunction.

Safety precautions

Do not expose your device to excessively high or low temperatures. Avoid direct sunlight. Avoid heating or cooling the battery. An excessively hot battery may cause skin burns. Please note that the operating temperature ranges from 0°C to 40°C.

Avoid exposure to direct flame or smoke (cigarette, lighter, open fire etc.).

Avoid exposure to liquids or damp (do not use the device in the rain, in the street at higher humidity, near bodies of water etc.). Avoid penetration of liquids or moisture since this may cause short circuit and/or damage to the battery. If liquid does get into the device, remove the battery immediately and contact the authorized service center.

Do not leave the device for a long time in poorly ventilated environment, e.g. in a car or in closed tight boxes/packaging.

Avoid exposure to strong electromagnetic fields.

Neither drop nor try to bend the device. If the device is damaged contact the authorized service center.

Do not disassemble or modify the book reader. Only authorized personnel may conduct work on the device.

This device is not waterproof and must not be used under water. If your device has become wet contact the authorized center immediately.

Do not use the device with a damaged battery, charger (broken case, poor contact, broken feed cable) or SD card. If the battery is damaged (cracked case, leakage of electrolyte, off-shape etc.) it should be replaced.

Do not replace the battery yourself. Use of home-made or modified batteries may cause explosion and/or damage to device.

Warning! Do not destroy the battery by burning it, to avoid explosion hazards!

Warning! The screen is made on a glass substrate and is a fragile component. Its surface is covered with a layer of elastically transparent material. A characteristic feature of mechanical damage to part of the screen is that the section of the screen in question does not refresh when changing the image, even if there may be no visible cracks. If such signs are observed contact the authorized service center.

Avoid any mechanical pressure on the screen exceeding 1 N. Protect the screen from objects that may scratch or damage it. To ensure adequate protection of the screen, we recommend storing the device in a protective and/or hard cover.

Do not use organic or inorganic solvents (e.g. benzol etc.) to clean the screen/case. Use a soft cloth to remove dust from the device's surface. Do not remove dirt apply a few drops of distilled water. To remove persistent dirt contact the authorized center.

Do not expose the screen to electrostatic charges or artificial sources of UV electromagnetic radiation.

Never leave cables near heat sources. Heated cables or their insulation may become deformed or damaged, which could lead to fire or electric shock.

Avoid any mechanical impacts onto connectors and keys of the device. This may affect their operation and cause malfunction.



Disposal of electric and electronic components (the Directive is applicable to the EU and other European countries where separate waste disposal systems exist).

Incorrect disposal of this device may have adverse impacts on the environment and public health. To prevent such consequences follow the device-specific disposal requirements. Recycling of these materials helps preserve natural resources. For more information regarding recycling issues please contact local municipal authorities, your domestic waste collection service, the store where you purchased the device or the authorized service center.

Do not use wireless communication in places where it is not allowed. Please do not use wireless communication onboard a plane and in hospitals – this may affect airborne avionics or medical equipment. Moreover, do not use your device where mobile communications are prohibited.

This book reader receives and transmits radio frequencies and may interfere with radio communications and other electronic equipment. If you use personnel medical devices (e.g. a pacemaker or hearing aid) please contact your doctor or the manufacturer to learn whether or not such medical devices are protected against external RF signals.

To avoid damage to your PocketBook 612 do not format the internal memory of the device using a personal computer.

For a complete cleaning of the internal memory, go to **Settings > Maintenance > Format internal memory** and select **Yes**.

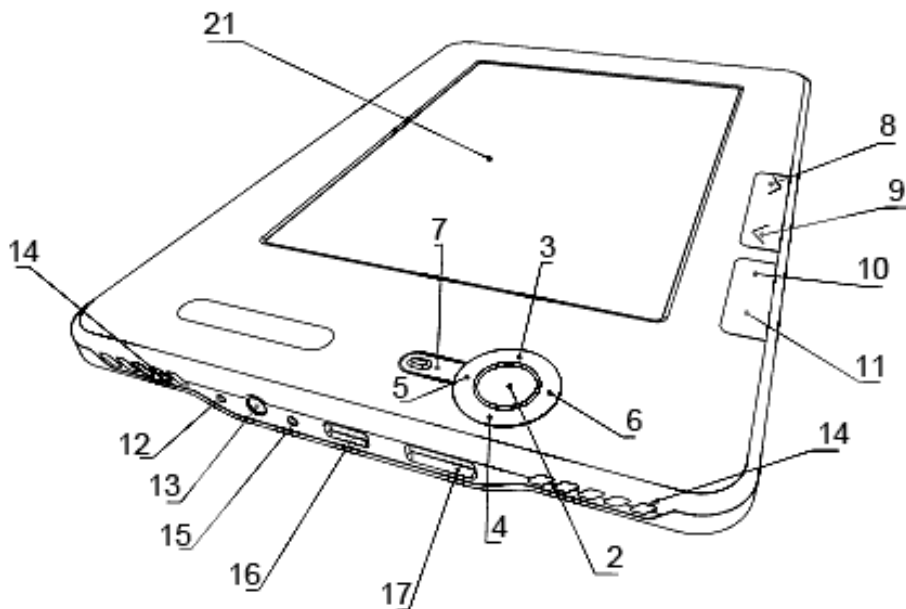
WARNING! While formatting the internal memory all personal data (including settings, bookmarks and notes) will be deleted!

Keep away from children.

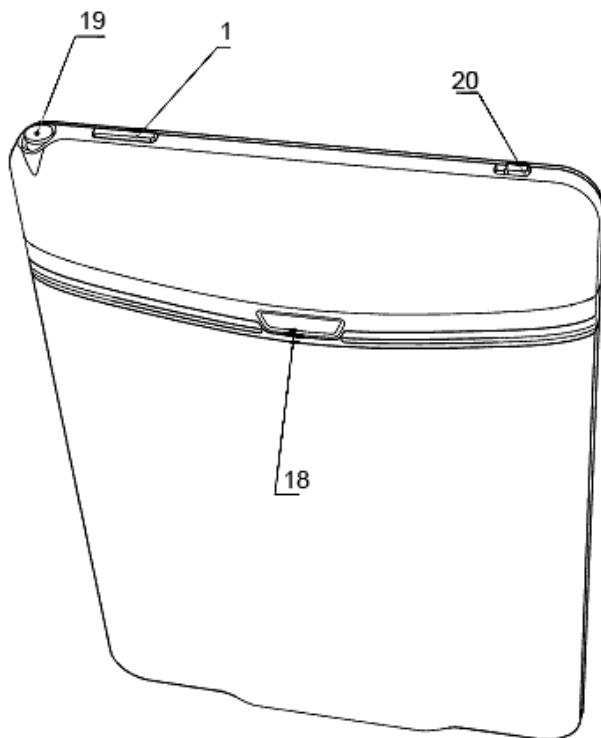
Appearance and controls

This section provides a general description of your PocketBook 612 and its functional keys.

Front View:



Back View:



Controls and Indicators

1. **'On/Off'** – switches the device on/off (long pressing);
2. **'OK'** – confirms selection, calls fast access or context menu;
3. **'Up'** – navigation key;
4. **'Down'** – navigation key;
5. **'Left'** – navigation key;
6. **'Right'** – navigation key;
7. **'Return'** – goes back to the previous menu, close the book. Long pressing forces shutdown;
8. **'Forward'** – goes to the next page;
9. **'Backward'** – returns to the previous page;
10. **'Home'** – calls context menu;
11. **'Menu'** – returns to Main Menu;
12. **'Reset'** button – reloads the device;
13. **3,5 mm Audio Jack** – designed for connecting 3.5 mm earphones;
14. **Speakers** – 2 x 0.5W speakers for playing audio files;
15. **Color indicator** – designed for indicating the device status when connected to a PC. Flashing orange color indicates that charging in progress, constant orange – battery fully charged;

16. Micro-USB connector – designed for connecting your device to either PC or charger (optional) via the Micro USB cable;

17. MicroSD-slot – used to connect an external MicroSD memory card. (optional);

18. Battery compartment cover.

19. Stylus - used to control the device via the touch panel;

20. WiFi on/off - Enabling/disabling wireless WiFi connection;

21. Touch Panel.

PocketBook 612 Technical Characteristics

Display	6" E-Ink® Vizplex 600x800, 166 dpi, black/white
Touch Panel	EMR (E-Writing, pen touch module)
Processor	533 MHz
RAM	256 MB
Internal Storage	2 GB
Operating system	Linux®
Communications	Wi-Fi® (b/g); Bluetooth® 2.1; Micro USB (480 Mb/s)
Memory slot	MicroSD up to 32Gb
Audio output	Stereo connector for 3.5 mm earphones; 2 x 0.5 W speakers
Accelerometer	Yes
Book formats	PDF (ADOBE DRM), EPUB (ADOBE DRM), PDF, EPUB, FB2, TXT, DJVU, RTF, HTML, CHM, DOC, TCR, FB2.ZIP, PRC, DOCX
Image formats	JPEG, BMP, PNG, TIFF
Audio format	MP3
Battery	Li-Polymer, 3.7 V, 1530 mAh
Dimensions	132x182x10.6 mm
Weight	276 g

Getting started

STEP 1. CHARGING THE BATTERY

When you charge your device for the first time keep it charging for 8 – 12 hrs without switching it on. You can charge your PocketBook 612 battery from:

- a PC via the USB-cable;
- the mains, using the USB-charger (optional);

When charging the battery for the first time:

- 1.** Make sure the device and its power indicator are off. If it is on, keep the 'On/Off' button pressed for a few seconds.
- 2.** Connect this device to a computer using a cable or to the AC mains using power supply unit.
- 3.** The indicator turns yellow as soon as the charging process starts.
- 4.** When the battery is fully charged, the indicator will lit continuously yellow.
- 5.** Now you can disconnect the device and turn it on for the first time.

If your device remains active during charging, the PocketBook screen will display a request to select between charging the battery and connection for data transmission. Charging will only start after you select the respective mode.

STEP 2. TURNING ON

To turn the device on keep 'On/Off' pressed for about 2 seconds. A start up logo appears. When the device is ready for operation, the logo will be replaced with the main menu with recently opened books, widgets and the main functions of PocketBook 612.

STEP 3. SETTINGS

Follow the Wizard instructions to preset the main parameters. Select required parameters using 'Up', 'Down', 'Left', 'Right', and press 'OK' to confirm your selection.

STEP 4. TOUCHPANEL CONFIGURATION

Select the Configuration item of the Main menu, then Maintenance ⇒ Calibrate touchpanel. Using the stylus, successively press the points on the screen indicated by the program.

STEP 5. READING BOOKS

Your PocketBook 612 already stores 1000 books of various genres and styles and in different languages. For more information on how to add new books to the library, see ['Adding New Books and Book Reading'](#).

Modes of device operation.

Modes of device operation can be classified as follows:

By power consumption

Normal operating mode is the main mode of device operation. Screen content is updated in normal operating mode, with power being consumed during the process.

***Note:** Maximum power is consumed by the device when reproducing sounds.*

Sleep mode is the power-saving mode of operation. The device actually switches off during user idle time to save battery charge. No power is required for E-Ink screen to maintain a displayed image.

By functionality mode

Key locking – Key locking mode (by default locking/unlocking is assigned through a short pressing of the **On/Off** key).

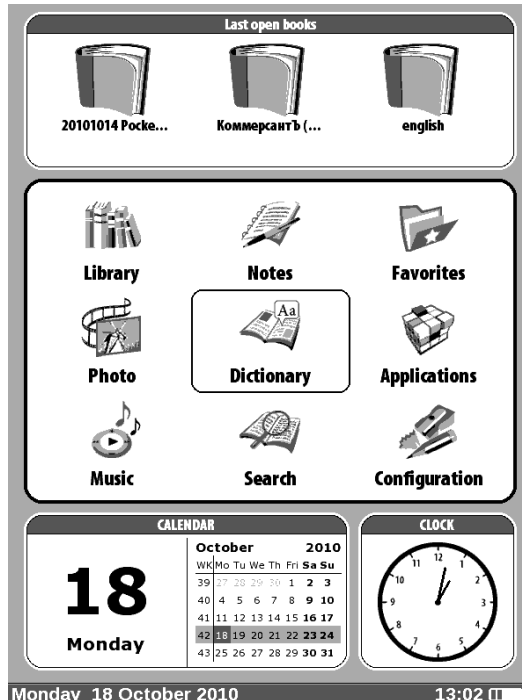
Safe mode – service mode for device loading with manufacturer's settings. To load the device in this mode, hold the Home button while turning it on.

***Note:** some functions become unavailable while a book is in the process of opening. This is due to the calculation of the number of pages.*

Software functions

Main Menu

The Main Menu appears after turning on of the device.



The Main Menu is a software element which displays basic functional and control sections for convenient use of the device:

- **Last open books;**
- **Main panel;**
- **Widgets.**

To access Main Menu while your device is in use, press 'Home' on the face panel or press the 'Backward' key sequentially.

Last Open Books



Displays recently opened documents. The number of displayed documents depends on the Main Menu configuration.

The following display settings are accessible in the context menu when displaying books in a widget:

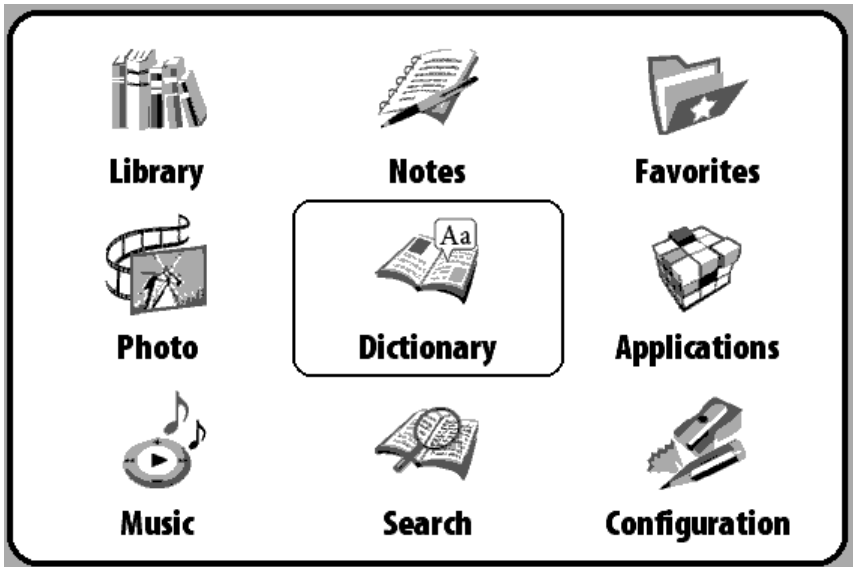
- List
- Thumbnails

Main Panel

Display of the basic functional and control sections:

1. Library;
2. Notes;
3. Favorites;
4. Photo;
5. Dictionary;

- 6. Applications;
- 7. Music;
- 8. Search;
- 9. Configuration.



Detailed information about each section of the Main Panel is given below.

Important! The Favorites section is replaced with the Registration section in the main menu of unregistered devices. The Favorites section will be available after device registration. More details concerning [registration](#) are given below.

Widgets



A Widget is a Main Menu element. It displays the latest and specific information and allows fast access to detailed info. The number and type of widgets can be varied depending on the Main Menu configurations. You can manage this element through 'Configuration' – 'Appearance'.

Standard selection of widgets displayed in Main Menu:

- **Clock** - when widget is enabled the device operates in full-scale clock mode;
- **Calendar** - current-year calendar;
- **Sudoku**;
- **Dictionary**;
- **Music player**;
- **Calculator**: A simple calculator that allows you to perform 4 arithmetic operations, calculate per cent, and take the square root. By pressing the button in the right bottom corner of the widget you can switch to full-screen application **Engineering Calculator** (to learn more go to [Applications](#)).

- **eBook** – the widget allows you to quickly access Internet libraries (Bookland <http://bookland.net>)
- **Pocket news** – quick launch of the PocketNews application (for more details see sections **Applications** > [PocketNews](#))

User can modify a standard set of widgets using the widget context menu.

Widget context menu is invoked by pressing the Menu button on the selected widget.

Widget context menu contains the following options:

- Widget settings (optional) (For example, for clock widget – Digital clock/ Analog clock);
- Change widget – select another widget from the drop-down menu.

***Note:** you cannot change the “Last opened books” widget.*

Status bar

The status bar is at the bottom of the screen.

The status bar displays context info.

In the main menu:

- Current date

In reading mode:

- Current page number/total number of pages in the book

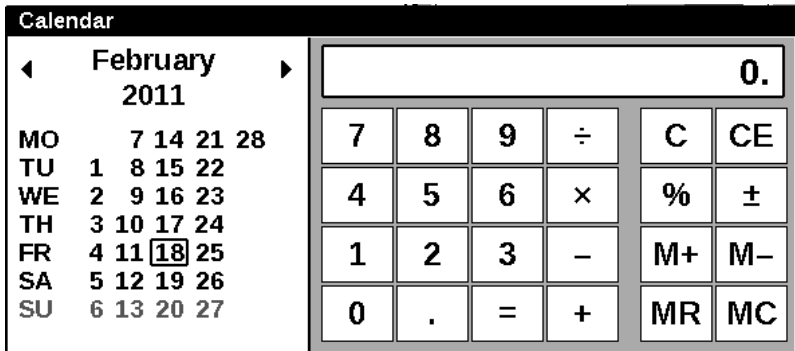
Book title and percentage of the total number of pages in the book.

Battery charge and current time are always displayed in the status bar.

Note: *In sleep mode, the clock is removed from the status bar to save power for screen update.*

The status bar can also display other parameters, including Bluetooth connection status.

If you touch the clock in the status bar with your stylus, a calendar with a calculator is opened.



A second touch of the status bar with your stylus removes the calendar and calculator.

Main panel elements

Library

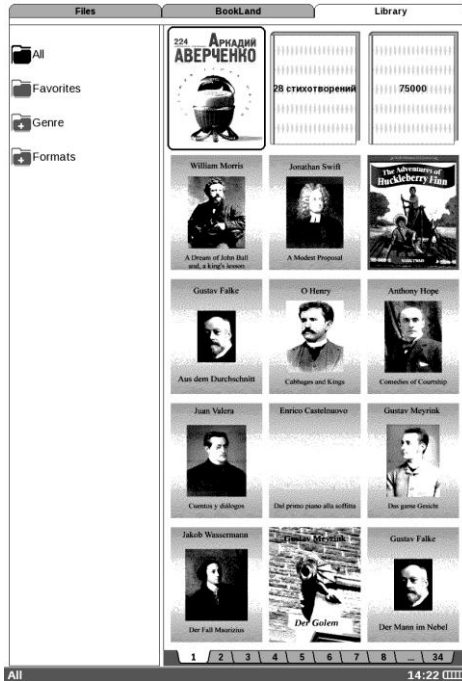


The library is the e-book file manager.

Library contains the following tabs:

- **Library** – the main tab The left-hand part contains book-sorting folders (Favorites|Genre|Formats). The right-hand part displays a book list in the selected folder.
- **Files** – File manager of all files in the device grouped by folders.
- **BookLand** – this tab presents an Internet bookstore. (The description is given in the BookLand Electronic Library section).

Display of selected media content is accessible to the user. Select the desired media in the upper left menu of the Media tab – Device and/or SD card. Selected media checked. To select/unselect media, select it and press OK.



The device can work with files of the following text types: PDF (ADOBE DRM), EPUB (ADOBE DRM), PDF, EPUB, FB2, TXT, DJVU, RTF, HTML, CHM, DOC, TCR, FB2.ZIP, PRC, DOCX

The 'Library' section displays all books, magazines and other documents downloaded to internal memory and Micro SD card (if any).

Other functions:

- ✓ Searching for/opening of books and other documents in reading mode;
- ✓ Managing the section content via Context Menu;
- ✓ Accessing the BookLand library.

Navigation:

- **‘Up’, ‘Down’, ‘Right’, ‘Left’** – navigation in the list;
- **‘Forward’, ‘Backward’** – fast return/switching to previous/next page;
- **‘Return’** – back to the previous menu;
- **‘OK’** – confirms selection. Keep ‘OK’ pressed for a few seconds to open context menu.

Commands available from context menu in ‘Library’:

- Open;
- Open with: reader program selection;
- Information;
- Mark as read/clear mark;
- Add to favorites;
- File:
 - Rename;
 - Move to folder;
 - Copy to SD-card/Internal memory;
 - Move to SD-card/Internal memory;
 - Delete;
 - Send;
- View:
 - List

- Thumbnails
- Detailed
- Show name as:
 - book titles;
 - file names.

More details about the actions in the Library section can be found in the [library renewal and reading electronic books](#) Chapter.

BookLand Electronic Library

PocketBook 612 allows the user to browse and download books from the electronic library of the 'BookLand' online store. The device accesses the library services via wireless Internet connection (Wi-Fi or Bluetooth).

To enter the electronic library select 'BookLand' in the 'Library' section.



Note: in order to access 'BookLand', establish Wi-Fi or Bluetooth (through mobile phone) connection. See 'Configuarion' for detailed instructions on how to preset and [establish wireless connections](#).

Main functions:

- ✓ Log on to/user registration in the library;
- ✓ Browse, manage book shelves/content;

- ✓ Access to new books and bestsellers in store or the free library;
- ✓ Book search in the catalog;
- ✓ Overview of popular authors;
- ✓ Overview of ways to replenish your balance in the 'BookLand' library.

Take the following actions to buy books in the BookLand library via the Internet:

1. Open the BookLand tab. Wait for server connection.
2. When the connection is established, the BookLand browser will appear on the screen. Once connected, the BookLand browser will open. Enter the library via the authorization form by using your login and password. If you are a new user, please register
3. Select the book.
4. Confirm the book purchase.
Note. You should be a registered user to be able to buy books. (See the [Registration](#) Section).
5. The book will become available for downloading after payment is effected. Click the Download button to start downloading.

You can access the book in the "My Bookshelves" section. Select the appropriate format before downloading. The book can be downloaded in several formats.

The downloaded book will be placed in the device's root folder, where it will be available for reading.

Note: *Also in store for downloading books available in the format * lit, that do not open the device. Open a book of this format can be on a computer using Microsoft Reader.*

Loading of the protected electronic books (DRM)

This section provides general description of additional opportunity to use the download function of protected books in electronic format on your device.

This feature enables you to download protected (DRM) books in on-line mode.

This function allows you to use protected (DRM) books. You must register on the www.adobe.com site to be able to use the book protected format.

Two ways of registration are available:

- Online registration – using the web browser application installed on the device.
- Offline registration – using a PC.

Go to www.adobe.com and create your account on the site using the registration form (click on: Sign in>Create an Adobe Account).

Downloading of protected books

The user can download protected books onto device in two ways:

BOOK DOWNLOADING VIA THE *.ACSM LINK.

1. Visit the www.adobe.com site using a PC browser.

Note The current browser version does not support Flash Player.

2. Visit the Products section.

3. Follow the Digital Editions link in the alphabetical index of products.

4. Open the Visit the sample eBook library link on the bottom of the page to enter the library.

5. Select the book.

6. Click the Download item button.

7. The File downloads window will appear on the screen. The file name with .acsm extension is indicated in the file name. Click the Save button.

8. The URLLink.acsm link will appear after saving on your PC.

Note. The same sequence of actions also allows you to download a link to a protected book of any online book shop.

Take the following actions to open a protected book (DRM) on your device:

1. Copy the book link file (*.acsm) to the device.
2. Browse and open this file on your device.
3. Follow on-screen instructions to activate your device. To do this, use the on-screen keyboard to enter login and password of your account into the Device Activation form at: www.adobe.com. Then you will be able to download the book.
4. Download a book. The full book will be available in the Digital Edition folder after download is completed. The downloaded book is protected (DRM) and it can not be opened by an unregistered user.

To open a protected book, do the following:

1. Open the Adobe Digital Editions application;
2. Select the “Go to library view” icon;
3. Click “All items”;
4. Find the desired book and copy it to your device. To open it, use your registration data at www.adobe.com.

BOOK DOWNLOADING VIA PC

A registered user can download a book from <http://www.bookland.net> and open it on a PC. It is also possible to copy the book to the device with the help of Adobe Digital Editions.

The book copied from PC to device using Adobe Digital Editions will become accessible if you activate the device. When connecting the device to PC, Adobe Digital Editions prompts you to activate the new device. Pressing the Activate Device button completes activation.

Note: *If the device is not activated, it will be impossible to copy a book from PC to device using Adobe Digital Editions.*

Note: *If you have previously used registration data in a firmware version earlier than 2.0.4 in the device for opening protected books then, when upgrading the software version, you will have to enter registration data of www.adobe.com once more to open such books again.*

Note: *The Adobe Digital Edition authorization can be deleted in the section Settings > Maintenance > Delete the ADE authorization.*

Book Borrowing

A registered user can “borrow” a book from electronic book shop sites (e.g., www.adobe.com). A borrowed book will be placed in the Borrowed books section of the user’s account and becomes available for reading. The book can be opened on a PC/device using the account data on the www.adobe.com site.

Each time you open a book the device will prompt you: “Would you like to return the book?” A borrowed book has its usage period.

At the end of the given period, the book will become unavailable for reading.

Notes



This section stores notes that you can create from time to time through the [Fast Access Menu](#) when reading.

You can make the following types of notes:

- Pencil marks in the text
- Highlight text with a marker
- Snapshots of pages

Notes are stored in [active content](#). After deleting the source book the notes with contents remain on the device.

You can use your [stylus](#) to edit graphic notes (saved as pictures in FB2 reader) in the graphic editor.

You can read more on creating notes by clicking on [“Notes”](#) in the Quick Access Menu.

Favorites



This section displays selected books or other documents added through the context menu of the 'Library' section.

Main functions:

- ✓ Quick search and opening of books marked as Favorites by the user.
- ✓ manage the section content via Context Menu.

Navigation:

- 'Up', 'Down', 'Right', 'Left' – navigation in the list;
- 'Forward', 'Backward' – fast return/switching to previous/next page;
- 'Return' – back to the previous menu;
- 'OK' – confirms selection. Keep 'OK' pressed for a few seconds to open context menu.

Commands available from context menu in 'Favorites':

- Open with - select a reader program (depending on a book format);
 - Adobe Viewer
 - FB reader
 - Pdfviewer
 - DjVu viewer

- Information;
- Mark as read/clear mark;
- Delete from Favorites. This function only deletes the document from “favorites” list, it’s doesn’t delete book from the device;
- File:
 - Rename;
 - Move to folder;
 - Copy to SD-card/Internal memory;
 - Move to SD-card/Internal memory;
 - Delete;
 - Send.
- View – display of Favorites section
 - List
 - Thumbnails
 - Detailed
- Show name as:
 - Book titles;
 - File names.

Registration



This section assists with device registration on the BookLand site. This section will be replaced with the Favorites section upon your completing registration.

When this section is selected, the registration form will be opened.

Upon completing registration on the <http://www.bookland.net> site, you must enter the obtained activation code in the respective form. If the entered code is correct, the registration process will be completed.

Registration is associated with the device only and is not connected with user profiles.

Photo



This section displays JPG, BMP, PNG and TIFF photographs and images.

Note: *Photo, Music and Applications are the tabs of File Manager.*

Main functions:

- ✓ display of photographs and images;
- ✓ manage section content via Context Menu.

Navigation:

- 'Up', 'Down', 'Right', 'Left' – navigation in the list;
- 'Forward', 'Backward' – fast return/switching to previous/next page;
- 'Return' – back to the previous menu;
- 'OK' – confirms selection. Keep 'OK' pressed for a few seconds to open context menu.

Commands available from context menu in 'Photo':

- Open;
- Information;
- Delete;
- View:
 - list;
 - thumbnails;
 - details;
 - show name as:
 - book titles;
 - file names.
 - filter:

- none;
- only internal memory;
- only SD-card.
- screen orientation.
- Sort:
 - by title;
 - by creation time;

To add new photos, just copy them from a PC or transfer via a network to the device.

There is a list of folders containing images, located in the left-hand part of the screen.

There can be standard preset folders in the device:

Screens – the folder is created when making a screenshot, and all further screenshots are saved in this folder. There are two ways to make a screenshot:

- Assign screenshots to On/Off button (**Settings > Functions of Keys**);
- Select the **Screenshot** icon in the Express menu.

The **Photo** folder contains a standard set of images. The folder is created when making firmware.

The **My picture** folder contains the user's pictures made using the **Scribble** application.

The context menu is available in the photo viewing mode:

- Previous
- Zoom in
- Slideshow

Dictionary



This section stores dictionaries that can be used for translations. To translate, enter a word from the on-screen keyboard, and then the program will search for its translation.

For your convenience we recommend to switch to full screen display mode by pressing the 'OK' key for a few seconds. This mode allows you to scroll through dictionary pages using the 'Right' or 'Left' keys. To return to the word - input mode press 'OK'.

If there several dictionaries installed on your device you can switch between them with the aid of the 'Menu' key.

Main functions:

- ✓ Translations using pre-installed dictionaries.

Navigation:

- 'Up', 'Down', 'Right', 'Left' - moving among letter icons on the screen keyboard;
- 'OK' – confirms letter selection;

- ‘Forward’, ‘Backward’ – fast return/switching to previous/next page;
- ‘Return’ – back to the previous menu.

It is possible to call up a dictionary in the reading mode using the context menu.

Additional dictionaries

To install additional dictionaries you must download them from the official website www.pocketbook-int.com (the dictionary file has a .dic extension) and add them to the **system/dictionaries** folder on the device. This folder contains dictionaries which are used in the device. You can also remove unnecessary dictionaries from the device.

Applications



This section stores games and additional programs.

Main functions:

- ✓ Enabling additional programs and games.

Navigation:

- Keys ‘Up’, ‘Down’ – navigation on the list of applications;
- ‘OK’ – launch applications;
- ‘Return’ – back to the previous menu.

Applications:

Engineering Calculator

Select the application in the programs menu or by clicking on the Calculator widget icon. The calculator provides a wide range of mathematical operations, such as: numerical notations, as well as logical, constant, and trigonometric functions. The engineering calculator can be used to perform extremely complicated calculations.

Clock

This application turns your PocketBook to a useful digital bracket clock;

Chess

Classic chess game You can play either the computer or another person;

Solitaire

Scribble

Is a program for drawing. To use this application your touch screen must be precisely calibrated. You must draw on the screen with the [stylus](#) held perpendicular to the screen surface.

Attention: *You can only draw with the stylus on your device when the touchscreen is active (the device is in normal mode marked by green LED light).*

To select the drawing tool, use the application control panel.



(From left to right)

- **Text:** select the position and size of the text box. Text is entered with the on-screen keyboard;
- **Pencil:** a tool for drawing thin lines
- **Marker:** a tool for drawing thick lines
- **Eraser:** a tool for removing lines and text
- **Back:** cancel the last operation
- **Current drawing/total number of drawings:** change the current drawing
- **New:** start a new drawing
- **Delete drawing**
- **Quit application**

To save a picture, click the “New Picture” icon. The current picture will be saved to the “My Pictures” folder in the root folder of the device.

Sudoku

A Japanese brainteaser;

Snake

The game.

Browser

An application for viewing web-pages.

You can navigate in the browser by using the following buttons:

- Cursor control arrows: for navigation in the browser window and within the on-screen keyboard.
- Paging buttons: for moving between links.
- “OK” button: for selecting links and activating text boxes.

When you activate a text box for entering addresses and filling in text fields it automatically activates the on-screen keyboard.

- The “Home” button returns user to the browser homepage.
- The “Back” button closes the application.

The application supports tabbed browsing.

- You can use the scroll bar by placing the cursor pointer on it and pressing the “OK” button. To scroll through the window contents, use the cursor control buttons.

The browser supports downloading files from the Internet. Downloaded files are saved to the root folder of the device’s internal memory.

PocketNews

An application for adding and reading RSS feeds.

- Adding RSS news feeds

To add RSS news feeds, open RSS setup. Select the “Add RSS feed” option. Enter the feed address using the on-screen keyboard.

- Deleting an RSS feed. Select the feed you want to delete. Call up the context menu (by pressing the “Menu” button). Select the **Delete** command.
- Editing an RSS feed.

Select the feed you want to edit. Call up the context menu (by pressing the "Menu" button). Then click **Edit**. Edit the feed address using the on-screen keyboard.

- Updating an RSS feed.

Click Update in the application menu PocketNews. When updating RSS feeds, updated content is added to the file with .hrss extension, and the file will be accessible for reading after updating. The news downloading status is displayed while updating. After the update file is available for reading off-line using the **Links** browser.

- Reading news.

Select “Read the latest news” option in the PocketNews application's menu. The latest downloaded RSS feed updates open in the **Links** browser

News Archive: By selecting this option you can choose to read the previously stored updating RSS feeds.

Links

The Links browser is an application for viewing web pages.

You can navigate in the browser by using the following buttons:

- **Up** and **Down** buttons to switch between active elements on the page (links, text boxes, etc.);
- **Right** and **Left** buttons:
 - short press – to horizontally scroll the window contents;
 - long press – to go to the previous page (Back) or next page (Forward);
- The paging buttons – to vertically scroll the window contents;
- “OK” button:
 - short press – to go to links and activate text boxes
 - long press – to display context menu;
- A long press of the **Up** button enables URL editing;

The on-screen keyboard is automatically enabled to fill in text boxes and enter addresses.

- To exit the browser, press and hold both paging buttons.

The browser supports downloading files from the Internet. Downloaded files are saved to the root folder of the device's internal memory.

Music



This Main Menu item is designed for you to listen to your favorite MP3 music.

Main functions:

- ✓ Search for music files on the device and MicroSD card
- ✓ Listen to music in MP3 format;
- ✓ Selection of playback mode;

Navigation:

- 'Up', 'Down', 'Right', 'Left', 'OK' allow you to control your music player;
- 'Return' – back to the previous menu.
- During playback you can adjust volume with page up/page down buttons.

Nota bene: *the music player is the most energy-consuming application. If the music player is enabled, a specific music icon is displayed in the right lower corner of the screen.*

The sound volume during playback, you can adjust the buttons to scroll through the pages.

Search



This section helps you search quickly for a book on your device.

Main functions:

- ✓ search for books/documents on PocketBook 612.

Navigation:

- ‘Up’, ‘Down’, ‘Right’, ‘Left’ - moving among letter icons on the screen keyboard;
- ‘OK’ – confirms letter selection;
- ‘Forward’, ‘Backward’ – fast return/switching to previous/next page;
- ‘Return’ – back to the previous menu.

Search. When you enter this section a keyboard appears on screen so you can type in the name of a book or author (see ‘Working with the Keyboard’).

Holding the OK button runs a book search according to search criteria.

The ‘Search’ mode will be enabled once you complete typing. To navigate across the books use either ‘Up’ or ‘Down’. To exit ‘Search’ mode press **‘Home’** or **‘Return’**.

Configuration



In this section you can preset software and/or browse through information about the device.

Main functions:

- ✓ PocketBook 612 settings.

Navigation:

- ‘Up’, ‘Down’, ‘Right’, ‘Left’ – navigation over the section’s elements;
- ‘OK’ – enter/selection;
- ‘Return’ – back to the previous menu.

Main items

1. About device;

The following information about the reader is displayed on the screen:

- Model name
- Serial number
- Hardware platform code
- Firmware version
- Total and free memory on the device and on the MicroSD card

- MAC addresses of Wi-Fi and Bluetooth
- IMAI number.

2. Language;

3. Keyboard;

4. User profile- user accounts; A profile can be stored on the memory card (one profile only) and also in the device memory (up to 5 profiles). For each profile in the memory there is current book status, last opened books as well as individual Bookmarks, Notes, Favorites and Network Connections.

5. Appearance:

- **Theme;**

Note: new themes are available on the website:
<http://www.pocketbook-int.com;>

- **Interface font;**
- **Main menu** - Change of both the main menu appearance and widget arrangement on the screen. Individual settings and widgets are stored for each appearance of the main menu;
- **Show books as;**
- **Screen orientation;**
- **Orientation settings;**
- **Save orientation settings.** This option appears if non-auto screen orientation has been selected. The following screen orientation options are available:

similar for all applications; individually for bookshelf and books; individually for PDF and DjVu

- **Boot logo;**
- **Power off logo;**

***Note:** If the user wants to use personal logos, they must be copied to the system/logo folder in the device's internal memory.*

- **Text rendering;**
- **Full page update;**
- **Warn when opening large files(On / Off)**

6. Key mapping;

For “short press on/off”:

- lock keyboard
- main menu
- exit
- last opened book ([Express menu](#))
- profile
- screen shot
- open player
- power off
- Disconnect from the network – Internet connection lost

For “double press on/off”:

- lock keyboard

- main menu
- exit
- last opened book
- profile
- screen shot
- open player
- power off

For other buttons following options are available:

- quick menu;
- move:
 - backward;
 - forward;
 - prev. page;
 - next page;
 - -10 pages;
 - +10 pages;
 - go to page;
 - first page;
 - last page;
 - prev. section;
 - next section.
- bookmarks:

- set bookmark.
- notes:
 - new note
 - save page
- links:
 - enter links mode;
 - go back.
- contents;
- search;
- dictionary;
- about book;
- appearance:
 - zoom in
 - zoom out
 - rotate
 - hide panel
- mp3 player:
 - open player
 - play/pause
 - volume up
 - volume down
- system:

- main menu
- exit

7. Clock:

- date/time;

Note: When setting incorrect date (for example: February 30) a message informing of an invalid date will be displayed.

- time zone;
- time format:
 - 24-hour;
 - 12-hour.
- update clock:
 - on page turn;
 - on page turn (no shadowing);
 - every time;
 - disable.
- Lock keyboard after:
 - off;
 - 5 minutes;
 - 10 minutes.
- Power down after:
 - off;
 - 10/20/30/60 minutes.

8. At startup open:

- main menu;
- last open book.

9. Connectivity:

- Device name;
- Network access:
 - Off
 - Enabled
 - Request Permission
- Preferred connection;
- Bluetooth access:
 - Off
 - Quiet
 - Visible
- Bluetooth connections;
- Wireless connection;
- USB mode:
 - pc link;
 - charge;
 - ask when connected.

10. Speech Synthesis:

- language and voice;

- speed of speech:
 - slow;
 - normal;
 - fast;
- tone:
 - 50%;
 - 75%;
 - 100%;
 - 125%;
 - 150%.

11. Maintenance:

- Software update – starting software update. For more details see “[Updating device software](#)”
- Deleting packs – the ability to delete voice packs;
- Configure dictionaries – the user can uncheck dictionaries that he does not want to use;
- Format memory;
- Format SD card;
- Copy configuration to SD – save current settings to memory card;
- Restore configuration;

- Cleaning status – status files for books are deleted both in the memory card and in the device's internal memory;

Reset the device's keys and Internet connection profile.

- Calibrate g-sensor;
- Remove ADE authorization.

Adding New Books and Book Reading

The device allows you to read books in the following formats: FB2, FB2.zip, TXT, PDF, RTF, HTML, PRC, CHM, DJVU, DOC, DOCX EPUB, TCR.

The following reading programs (readers) are used for book reading:

- Adobe Viewer;
- PDF viewer;
- FBReader;
- DjVu viewer;

Readers' settings can be accessed via the context menu in the reading mode.

Preliminary.

1. Download a book to the PocketBook 612 memory:

- a) **Via PC.** Connect your device to PC via micro-USB cable. Internal memory and MicroSD card will be displayed in Windows Explorer as two new disks. Copy book(s) to the selected folder in the device or SD card.
- b) **From the 'BookLand' electronic library.** Select 'Library' – 'BookLand'. Establish either Wi-Fi or Bluetooth connection. Register on the window that appears; then you can download books for a fee or for free, which will automatically appear in your library.

2. Open a book in 'Reading' mode.

To open a book, enter 'Library' and select the required book using keys 'Up', 'Down', 'Left', 'Right'. A recently opened book can be opened from [Main Menu](#). If you have already started to read this book, it will be opened on the page at which it was closed.

The lower part of the screen displays the number of the open page, the total number of pages, current time and battery status. Upon opening some formats, page numbers are recounted. While such recounting is in progress the lower part of the screen will display the symbol «...» instead of current page number/total number of pages, and some functions will be temporarily unavailable.

Fast Access Menu

Fast access menu is available in reading mode.



This menu can be brought up by 'OK' pressed in reading mode. The fast access menu content depends on a reading program (reader). Menu items:

Search



Quick search for a word/its part in the book. Once this item is selected, the on-screen keyboard will appear to help you type in the required word (see 'Working with the Keyboard'). The word is input, 'Search' mode starts and a binoculars icon will appear in the right lower corner of the screen.

To move forward or back across the found words use the 'Left' or 'Right' keys, respectively. Found words will be highlighted. To exit the 'Search' mode press 'OK'. Search mode does not support books in DjVu format.

Contents



Switch to a book contents. The function supports books in FB2, PDF, EPUB, DjVu and CHM and only provided that they have a structured table of contents.

Voice



This Fast Access item enables TTS ([Text To Speech](#)) for you to listen to text. The part being read by a speaker will be highlighted.

Use quick menu to control reproduction of voice when using the Text-to-Speech function. Call the quick voice menu by pressing and holding the **OK** key. Using the menu you can adjust volume, stop/continue reproduction, or disable this function.

To exit to Main Menu press 'Home' or sequentially press 'Return'.

Note: *To change language, voice, speed and tone of speech go to 'Configuration' => 'Speech Synthesis' and set the necessary parameters.*

The function is described in more detail in the [TTS](#) (Text To Speech) Section.

Notes

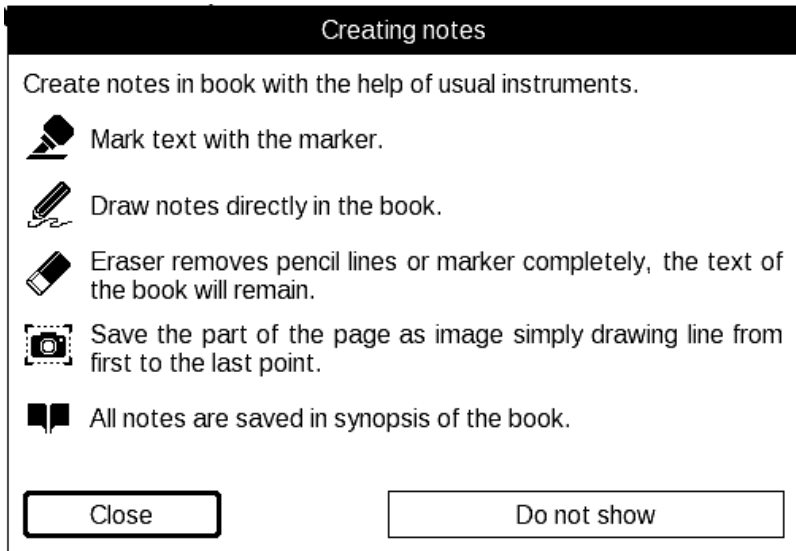


Notes are used to save selected fragments of book texts; notes also allow you to make hand-written graphical marks directly in the text of the book.

To make a new record while reading:

3. Select 'Notes' from [Fast Access Menu](#);

The “Creating Notes” window contains information on the tool options.



Select the tool and type of note you want to create. (Tool set and types of notes depend on the reader program).

In the Notes mode, the toolbar contains the following tools:



- Marker – use to highlight text with colors.
- Pencil – use to draw notes in the text.
- Eraser – clears marker and pencil.
- Screenshot – saves selected text fragment as a picture.
- Table of Contents – opens the book's [Table of Contents](#).

- Help – opens a window with instructions on using the tools.
- Close notes mode.

Select tool for creating notes and make a note.

The note will both be saved in the book and displayed in its active contents.

All notes are visible from Main Menu (section '[Notes](#)'). Press 'OK' on the note being viewed to get to the exact place in the book where this note was created. Moreover, the notes can be viewed in the book's 'Table of Contents' section.

In different book formats, notes can be created either as text, i.e., in editable form, or as a picture – in non-editable form.

Bookmarks



You may create an unlimited number of bookmarks in each book. Select 'Bookmarks' in Fast Access Menu. A bookmark symbol will appear in the page's upper right corner.

To make a bookmark, select Quick Access Menu option.

You can also create a bookmark in a page by touching the upper right corner of the screen with the stylus.

You may view and delete bookmarks in the contents which contains [book contents](#), bookmarks and notes.

To go to a bookmark select the bookmark in the book content and press OK.

You can delete a bookmark either by going to contents and using the context menu, or by second-clicking the Bookmark icon from the quick access menu.

You can also delete a bookmark in a page by touching the upper right corner of the screen with the stylus.

Open page...



This item enables a page select window. Enter the required page number and press 'OK'. 'Forward' or 'Backward' keys can be used for quick transfer to the first or last page.

Settings



You can select the most comfortable reading parameters for the FB2, TXT, RTF, HTML, PRC and CHM books – font type and size, line spacing, field width, as well as file coding for TXT and HTML books.

For PDF in Reflow mode you can increase font size by pressing the **Up** button or by selecting the appropriate scale in the quick access menu. There are 5 font sizes and they are switched over cyclically.

FB2 format accessible setting Update Mode:

- **Good quality;**
- **High speed** (by default).

Dictionary



This function allows you to translate selected words while reading. The 'Up', 'Down', 'Right' and 'Left' keys are used to select a word, 'OK' – to switch between the dictionary and text windows.

In addition to this, a virtual keyboard can be used. Your device has the Korolev Russian-English dictionary preinstalled. Additional dictionaries are available at: <http://www.pocketbook-int.com>. Additionally you can use a converter to create your own customized dictionary on the basis of free online dictionaries.

Rotate



This menu item helps to select a comfortable screen orientation. Rotation takes place in accordance with a selected icon. Selection is possible using the 'Up', 'Down', 'Left' and 'Right' keys. 'OK' enables automated image orientation.

Zoom



In the PDF and DJVU books you can change the page display scale (from Fast Access Menu).

Use 'Right' and 'Left' keys to select the required display mode and adjust the scale with the 'Up' or 'Down' keys.

Available modes:

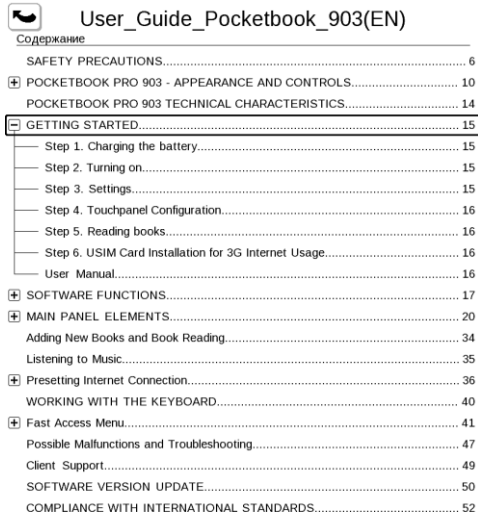
- 1. '4 pages', '9 pages'** – preview mode, several pages at once;
- 2. By width** – the page is scaled to the screen width;
- 3. 'Regular'** mode – displays one page with scale up/scale down facility;
- 4. 'Columns'** – reading books containing columns on pages. To move through pages in the 'Columns' mode use the 'Up' and 'Down' keys; when you reach the lower end of a page you will move to the next column;
- 5. 'Reflow'** – improves comfort of reading large-format documents. In this mode the text is formatted across the screen width. You can change font size ('Up' and 'Down'). Please note that 'Reflow' may not support some tables or images.

Note: 'Reflow' option is not available for DjVu books

Active Content

Active content includes book sections, bookmarks and notes made during reading (they all are available in the respective sections of the Table of Contents).

Structured contents – active contents with hierarchical structure of section branches (chapters, volumes, bookmarks, etc.).



User_Guide_Pocketbook_903(EN)	
Содержание	
SAFETY PRECAUTIONS.....	6
POCKETBOOK PRO 903 - APPEARANCE AND CONTROLS.....	10
POCKETBOOK PRO 903 TECHNICAL CHARACTERISTICS.....	14
GETTING STARTED.....	15
Step 1. Charging the battery.....	15
Step 2. Turning on.....	15
Step 3. Settings.....	15
Step 4. Touchpanel Configuration.....	16
Step 5. Reading books.....	16
Step 6. USIM Card Installation for 3G Internet Usage.....	16
User Manual.....	16
SOFTWARE FUNCTIONS.....	17
MAIN PANEL ELEMENTS.....	20
Adding New Books and Book Reading.....	34
Listening to Music.....	35
Presetting Internet Connection.....	36
WORKING WITH THE KEYBOARD.....	40
Fast Access Menu.....	41
Possible Malfunctions and Troubleshooting.....	47
Client Support.....	49
SOFTWARE VERSION UPDATE.....	50
COMPLIANCE WITH INTERNATIONAL STANDARDS.....	52



The ‘Up’ and ‘Down’ keys facilitate navigation across the active content items. ‘Left’ and ‘Right’ keys allow the user to switch to the previous/next active content page. Upon hitting ‘Menu’ on an active content item the following context menu will appear:

- Cancel
- Open
- Rename
- Edit
- Edit picture – for notes made in FBReader in the form of pictures.
- Delete
- Settings
- Maximize/Minimize.

Note: *Some features and commands may not be available in the Table of Contents. For example, for Notes – Delete.*

By default, all active content items (sections) are minimized ('+' appears to the side). To maximize/minimize an item keep 'OK' or 'Menu' pressed, and select either:

- Maximize;
- Minimize.

Switch to Structured Table of Contents

(FB2, PDF, CHM, EPUB, DjVu)

To switch to a book's content select 'Contents' in the Fast Access Menu.

Note: *this function is only supported by books in FB2, PDF, EPUB, DjVu and CHM format with a structured table of contents.*

The OK button transfers you to the selected book chapter. For contents items you can invoke the context menu (Menu button).

You can rename and edit the contents item (if allowed), as well as set up the contents display (using the **Settings** command).

The Settings menu allows you to select the contents components to be displayed:

- Contents
- Notes
- Bookmarks
- Markers
- Comments
- Pencils
- Screenshots

You can also collapse or expand all contents items using the Settings menu.

Express menu

Express menu is a quick device control menu.

You can assign express panel call to a short pressing of the **On/Off** key (See Settings > Functions of Keys).

Express menu can be called from any application (including when reading a book).

Use the express menu to conveniently switch between the latest opened books.

Express menu contains the following options:

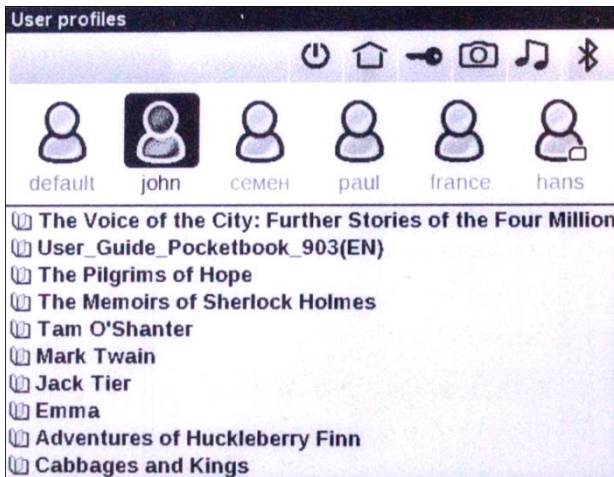
1. Device control panel.

- **Switch off** – switching off device power.
- **Main Menu** – access main menu. Same as the Home button.
- **Keyboard lock** – locking of device keys. (For more details see **Modes of device operation**).
- **Screenshot** – appearance of the screen located under express menu.
- **Open Player** – opens music player.
- **On/Off Bluetooth** – switches Bluetooth connection on and off.

2. User profiles (if more than 1 profile is configured).

This option allows you to change the device user (for more details see [User Profiles](#)) in the course of device operation. User replacement provides the new user with the device status as it was when the work was completed.

3. List of last 10 opened books.



Listening to Music

To listen to music on your device:

1. Download MP3 audio files:

- Connect your device to PC via micro-USB cable;
- You will be asked to select a connection type – ‘Charge Battery’ or ‘Connect to PC’. Select ‘Connect to PC’;
- Internal memory and MicroSD-card (if any) will appear in Windows Explorer as two new disks. Copy files to ‘Music’ folder.

Note: selecting an action depends on the settings tab **Connection>USB**

2. Open [‘Music’](#) from Main Menu;

3. Select a track from the list and press ‘OK’;

4. Select a play back mode:

- one track;
- track by track;
- random.

The top part of the player displays the name of the file that is being played back and the play list.

The bottom part of the player displays the playback control panel.



Playback panel buttons can be pressed with the stylus.

To control playback, you can use the buttons:

- **“OK”** button - Playback /Pause;
- Forward / Back buttons:
- Short press – next track in the playlist / previous track
- Long press – fast-forward / rewind track
- Menu button – change playback mode

Use long clicks on the “Forward” and “Back” keys to scan through the track.

For track winding, use long holding of the Forward and Back keys.


For volume adjustment use keys:

- Page Down – increase volume;
- Page Up – volume decrease.
- Press Return to exit the player.

TTS (Text To Speech)

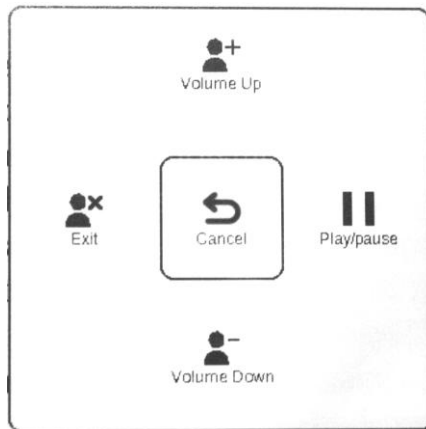
Text-to-speech function or TTS is used to transform text information into speaker voice sounds.

To enable text-to-speech function do the following:

In reading mode, click the appropriate icon in the [quick access menu](#). 

In the top left corner a highlight box will appear. Press **OK** to start speech reproduction.

To access the TTS control menu, press and hold the **OK** button.



For more convenient adjustment of settings use the following keys:

- adjust volume: Volume +/-, Up, Down;
- stop/continue listening: Left;
- disable text reproduction: press the Left button or Back in text listening mode.

You can exit to Main Menu by pressing the Home key or by multiple-pressing the Back key.

Note: *The Text-to-Speech function becomes accessible for an opened book only after page calculation.*

Note: *In text formats, the currently reproduced sentence is highlighted. Pages of the book being reproduced by voice are turned over automatically.*

Actions with voice packs.

There are 4 language voice packs initially preset in the device. Composition of preset voice packs can differ depending on localization.

Please note!!! *The device's operating system can only use **4 voice packs**. To install an additional pack, you must first uninstall one of the existing packs.*

Selection of voice pack.

To select a voice pack, do the following:

Open [Settings](#) > **Speech Synthesis**.

In **Language and Voice** option select an installed voice pack.

In this menu you can also set speech speed and volume.

Deleting a voice pack.

To delete an installed voice pack, do the following:

- 1.** Open the main menu of the device (either with the **Home** key or by multiple-pressing the **Back** key).



2. Select icon .
3. In Settings menu select Servicing > Deleting Packs.
4. Select voice pack to be deleted.
5. Confirm deletion.


Installing voice pack

To install a voice pack, do the following:

1. Download the required voice pack (file with **.pbi** extension) from our site <http://pocketbook-global.com/download/tts/>.

2. You can connect the device to a computer and save audio files to its memory (Internal memory or on SD card).

***Please note!** Up to 4 voice packs can be installed on the device at the same time. To install an additional pack, you must delete one of the existing packs.*

3. Switch on the device, open **Library** () from the main menu, select the saved file, open it and confirm installation

After voice pack installation, open **Settings > Speech Synthesis** and the select voice pack that has been installed.

Presetting Internet Connection

In order to establish Internet connection:

1. Select Main Menu – ‘Configuration’ ⇒ ‘Connectivity’;
2. Set Device Name:
 - a) Press ‘OK’ on the corresponding line;
 - b) Use on-screen keyboard to enter the name that will be used for connecting PocketBook 612 to other devices;
 - c) Press ‘OK’ to save changes or ‘Cancel’ to hide the keyboard.
3. Set **Access to Network**. Press ‘OK’ on a line and select one of the following modes:
 - a) Off;
 - b) On;
 - c) Ask user.
4. Select **Preferred Connection**. All available types will appear on a drop-down list. Select the required connection type.

Bluetooth connections

1. Select [Settings](#) > Connections> Connections Bluetooth> Bluetooth GPRS. Select the connection you want to configure. By default, non-preset connections are named 'Connection No...';

2. Press 'Connection Name' and the on-screen keyboard will appear; enter a name to be used for connection of PocketBook 612 via Bluetooth;

3. Set a connection type:

- external modem (enter a 4-digit PIN-code for connection via Bluetooth).

4. Set an access point and name for it;

5. Enter user name;

6. Enter password;

7. Open 'disconnect when idle (min)' and select a value from the drop-down list:

- 5;
- 10;
- 20;
- 30;
- 60.

8. Preset a proxy server. To do so, select 'Proxy configuration' and preset connection parameters from the on-screen keyboard:

- Proxy server name;
- Proxy port;
- Proxy username;
- Proxy password.

9. Check that your connection settings are correct. To do so, press 'Connection'. The message 'Connecting' will appear. If connection fails you can look through the event log.

The Access by Bluetooth option serves to transfer files between devices via the wireless network. Bluetooth connection is also used to access the Internet via telephone. Mandatory settings are Connection Name and telephone to be used for accessing the Internet. Other settings depend on the mobile network provider.

Wi-Fi connection

1. Select [Settings](#) > **Connection** > **Wireless Wi-Fi Connections**. Select the connection that you want to configure;

2. Press 'Connection Name' and the on-screen keyboard will appear; enter a name to be used for connection of PocketBook 612 via Wi-Fi. Press 'OK' to save changes or 'Cancel' to hide the keyboard.

3. In the drop-down menu select the required access point or enter network name (SSID) similar to i. b.

4. Set ‘Security’ type from the drop-down list:

- None;
- WEP;
- WPA-Enterprise;
- WPA-PSK.

Encryption is not set by default. When selecting the type of Encryption, the box for entering an access code will be displayed

5. Open “Disconnect if not active for (minutes)” and select a value from the drop-down list.

- 5;
- 10;
- 20;
- 30;
- 60.

6. Open “Disconnect when idle (min)” and choose value from drop-down list:

- 5;
- 10;
- 20;
- 30;

- 60.

7. Select 'Network Settings', press 'OK' on 'IP-address Configuration' and select from the drop-down menu:

- DHCP (if a DHCP server is configured in the network)
- Manual (only for experienced users).

8. Configure proxy server, if necessary. To do so, select 'Proxy configurations' and preset proxy connection parameters from the on-screen keyboard:

- Use proxy
- Proxy server name;
- Proxy port;
- Proxy username;
- Proxy password.

9. Check that your connection settings are correct. To do so, press 'Test connection'. The message 'Connecting' will appear. If connection fails you can look through the event log.

Note: To make a connection to function, you must assign it a name. Connection with a default name inefficient. Names of all connections must be unique. Be sure to specify the access point name.

Note: You can use Wi-Fi to connect to the Internet. You cannot transfer files over the Wi-Fi network.

Note: The device can connect to a Wi-Fi access point with a hidden SSID network name.

You can use up to 64 characters in your password for WEP-PSK encoding.

Note: *The device can connect to a Wi-Fi access point with enabled filtering of MAC addresses.*

Internet connection lost

The device makes it possible to end active Internet connections.

To do this, select [Settings](#) > **Connection** > **Access to network**. Set the “**Disabled**” state.

You can also set the Internet connection to short by clicking the “On / Off” button.

Using the stylus

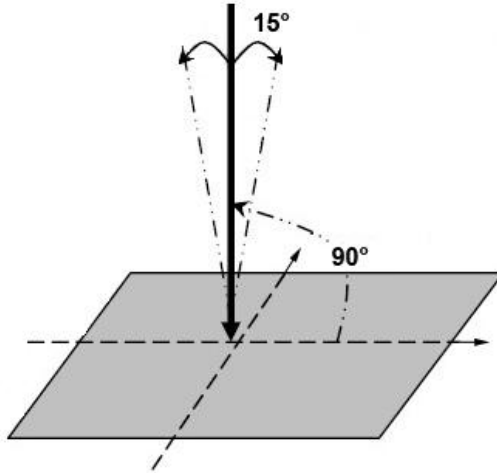
The stylus makes using the device easy and simple.

There are many ways to use the stylus:

- [Scribble](#) is a graphic application
- You can make and edit notes in the FB2 Reader. To start editing in the note context menu, select the “**Edit Picture**” option. The selected note can be edited in the graphic editor
- Display characters when entering passwords (for example, hotspot password). To enable this function, touch the eye (just right of the password box) with your stylus. Touch the eye once again to hide the password.

For more accurate device control by stylus, you are suggested to follow certain rules.

- 1) Position the stylus as shown in the diagram: at a 90 degree angle (within 15 degrees from perpendicular).



- 2) Calibrate your touch panel ([Settings](#) – Touch Screen Calibration).

Note: Using the stylus on a scratched or dirty touch screen can amount to an error of 10%.

Working with the keyboard

To navigate through the keyboard use the ‘Up’, ‘Down’, ‘Left’, ‘Right’ and ‘OK’ keys.

You can also use the stylus when working with the keyboard.



Continued pressing of the ‘Left’ key deletes the last input symbol; continued pressing on the ‘Up’ makes the entire input text deleted.

To switch to another input language, use the current language button (in the figure – RU). You can toggle available languages by successively pressing the button. To select the language of the onscreen keyboard go to: Settings>Keyboard)

You can select characters to enter both with joystick or by touching on-screen keys with the stylus.

Connecting Bluetooth audio device

Using Bluetooth protocol, you can connect special stereo audio devices to the PocketBook 612.

Note: *You can connect a Bluetooth audio device using the A2DP Bluetooth-profile. Conventional Bluetooth headset for mobile phones work using the headset and handsfree profile.*

To connect an A2DP audio device, create a connection profile:

1. Select [Settings](#) > Connection > Bluetooth Connections > Bluetooth Audio Devices.
2. Select the connection that you want to configure. By default, non-configured connections are named <Connection No...>.
3. Press "Connection Name"; using the on-screen keyboard, enter the name to be used for connecting PocketBook 612 with the A2DP audio device.
4. Enable the A2DP audio device and search for a connection.
5. Select the device to reproduce sound in the "Connect via".

Note: *A list of all nearby Bluetooth devices that are compatible with PocketBook 612 will be displayed (all nearby Bluetooth devices that are enabled will be displayed, not only A2DP).*

6. Go to “Disable if idle for (minutes)” and select a value from the drop-down list:

- 5
- 10
- 20
- 30
- 60.

7. To pair with an A2DP audio device, you must enable the connection by pressing the “Enable?” option.

Upon completing the connection it will be necessary to enter a Bluetooth PIN.

Check your instruction manual if you have questions about the Bluetooth PIN required for pairing (pairing is performed during the first connection; no PIN is required for further connections).

The Bluetooth and A2DP connection icons appear in the status bar, once enabled. Then you can listen to music or use the of [text-to-speech](#) conversion service, via the Bluetooth stereo audio system. An active A2DP connection is needed.

To disable the connection with the A2DP audio device, press the A2DP connection icon with your stylus; in the dialog that follows press the "Disable" button or go to settings of the profile being used and select the "Disabled" option in the “Enable?” box select “Off”.

Attention! At present, controlling A2DP devices with PocketBook 612 is not supported (control buttons on the device itself currently are not operable; for example, next track, pause, previous track).

Connecting Bluetooth keyboard.

The device supports the connection of Bluetooth HID keyboards.

To connect a Bluetooth HID keyboard to the Pocketbook 612, create a connection profile:

1. Select [Settings](#) > Connection > Bluetooth Connections > Bluetooth keyboard.
2. Select the connection that you want to configure. By default, non-configured connections are named <Connection No...>.
3. Press “Connection Name” to display the on-screen keyboard; enter the name to be used for connecting the PocketBook 612 with the Bluetooth HID keyboard.
4. Enable the Bluetooth HID keyboard and search for a connection.
5. Select the device that is recognized as a Bluetooth HID keyboard in the “Connect via” option.

Note: A list of Bluetooth devices that the PocketBook 612 can connect to will be displayed (all nearby Bluetooth devices that are enabled will be displayed, not only the Bluetooth HID).

6. Go to “Disable if idle for (minutes)” and select a value from the drop-down list:

- 5
- 10
- 20
- 30
- 60.

7. To pair with an A2DP audio device, you must enable the connection by pressing the “Enable?” option.

Upon completing the connection it will be necessary to enter a Bluetooth PIN to pair with the keyboard, you can enter the PIN and immediately reproduce it on the keyboard being connected (pairing is performed during first connection; no PIN is required for further connections).

Once this is done, you can use the keyboard to enter text and control the device with cursor arrows.

Possible Malfunctions and Troubleshooting

Malfunction: device does not turn on or turns on but only the logo loads

Possible cause: battery is low.

Solution: charge the battery.

Malfunction: a book does not open - the message 'book is probably damaged or protected' appears, or nothing happens at all.

Possible cause: this book is damaged.

Solution: If the book was downloaded from the online store try to re-load it again. If the file opens on your PC, but does not open on the device, resave the book in another format.

Malfunction: html book opens but is displayed incorrectly.

For example, there are empty pages, some part of the text is missing etc.

Possible cause: HTML-files contain non-text elements (frames, JAVA-scripts, flash-elements).

Solution: save the page in TXT.

Malfunction: book opens but various symbols, question marks etc. are displayed instead of russian letters

Possible cause: incorrect coding.

Solution: switch to reading mode, select 'Settings' and change coding.

Malfunction: no response when you press any key.

Possible cause: sometimes (e.g., when downloading damaged or books with too large a volume) the device may 'hangup'.

Solution: close the frozen application by pressing the 'Return' key for 1–2 sec. If this doesn't help, press 'Reset' on the rear panel to reload your device.

Problem: having connected to pc, no disks of the device are seen in the windows explorer. Possible cause: your device is in the battery charging mode.

Solution: check USB mode in 'Configuration' item of Main Menu.

Set 'Connection to PC' or 'Ask at Connection'.

Possible cause: no signal in connection cable.

Solution: check USB cable condition and its proper connection to connector. Try to connect the USB-cable to another connector.

Problem: bookmarks, settings and current position in file are not saving.

Possible cause: damaged file system.

Solution: connect the device to a PC and check disks. To do this, open 'My Computer', right-click on the selected disk and select 'Properties – Service – Check Disk'.

Possible cause: internal memory overloaded.

Solution: Delete books, images and/or music files that you do not need.

Problem: battery discharges too fast.

Possible cause: disabled automatic turning off.

Solution: select 'Configuration' => 'Clock' in Main Menu. Select automatic turn off time (10, 20, 30 or 60 minutes) for the 'Turn Off in...' item.

Possible cause: music player is in background mode. The music player is the most energy-consuming application. A tone icon in the right lower corner indicates that the player is active.

Solution: turn off the player.

Customer Support

For detailed information about service centers in your country please visit official web site of PocketBook International: <http://www.pocketbook-int.com> .

Software version update

WARNING! Firmware Update - responsible operation, during which management software of e-book is changing. In case of improper execution control program may be damaged and will require treatment in the service center. Please perform the upgrade procedure in accordance with the instructions below.

There are 2 ways to update the device software:

Manual Update

1. Open site www.pocketbook-int.com. Select your country.
2. Click the «**Support**» button on top menu. Select hardware model of your device in rulers. You can use the scrollbar.
3. Download the **Firmware** to your PC.
4. Unpack the content of the archive, file: SWUPDATE.BIN copy to your MicroSD-Card using a card reader or USB cable.

The firmware file can be downloaded to the root folder of the device's internal memory

5. Switch off PocketBook by pressing button “On/Off”.
6. Switch on PocketBook by pressing “On/Off”.
7. During loading press and hold both “Backward” and “Forward” buttons together until the message ‘**Firmware update...**’ is displayed on the screen.

8. Follow on-screen instructions
9. Wait for the message on the screen: **“Please connect power cable”**, then connect USB cable to PocketBook.
10. Wait until you see **“Press central Key...”** on the screen.

***Note:** You can check your Firmware version in Main menu ⇒ Configuration ⇒ About device*

***Note.** If the firmware file is located in the device root folder, then it will have a higher priority in comparison with the file stored on the SD card during the update process.*

Automatic update

To start automatic software updating select [Settings](#) > Maintenance > Software Update.

The device will begin to check available update sources in the following order:

1. Internal memory
2. MicroSD card
3. Internet

In the case of Internet connection, the device will ask to connect to available wireless networks.

Troubleshooting

Error message	Reason	Correction method
No upgrade image found	file SWUPDATE.BIN can not be found on the Micro SD card. Make sure the file is in the root directory of the card.	Try to format your Micro SD card (make a reserve copies of all its content prior to formatting) and copy the file to the root of the empty card. If this error persists, use another card.
Upgrade image is corrupted or Image is empty	– SWUPDATE.BIN file is damaged or there is no space available on the Micro SD card.	Delete some files from your card and copy SWUPDATE.BIN file on it one more time. Repeat the download from www.pocketbook-int.com . If this error repeats, use other card.
File read error	Incorrect Micro SD card	Try to use other MicroSD card
Error. A different firmware version is installed on the device	A firmware file of an older version is stored in the device internal memory.	Delete the old version of the firmware file from the device's internal memory root folder

Compliance with international standards

1. The EUT should be supplied by USB port from complied Limited Power Source of personal computer or notebook;
2. The EUT should be supplied by Adapter from complied Limited Power Source.

AC Power:

Manufacturer

FLEET

Model

FCC050100U

Rated output voltage

DC 5V 1A



This equipment is marked with the 0984 symbol and can be used throughout the European community.

This indicates compliance with the R&TTE Directive 1999/5/EC and meets the relevant parts of following technical specifications:

- EN 300 328 V1.7.1 – Electromagnetic compatibility and Radio spectrum Matters (ERM); Wideband Transmission Systems; Data transport equipment operating in the 2.4 GHz ISM band and using wide band modulation techniques; Harmonized EN covering essential requirements under article 3.2 of the R&TTE Directive
- EN 301 489-1 V1.8.1 - Electromagnetic compatibility and Radio spectrum Matters (ERM); ElectroMagnetic Compatibility (EMC) standard for radio equipment and services; Part 1: Common technical requirements
- EN60950-1:2006+A11:2009 - Information technology equipment - Safety - Part 1: General requirements
- EN 62311: 2008 - Assessment of electronic and electrical equipment related to human exposure restrictions for electromagnetic fields (0 Hz-300 GHz)

France - 2.4GHz for Metropolitan France :

In all Metropolitan departments, wireless LAN frequencies can be used under the following conditions, either for public or private use:

- Indoor use: maximum power (EIRP*) of 100 mW for the entire 2400-2483.5 MHz frequency band
- Outdoor use: maximum power (EIRP*) of 100 mW for the 2400-2454 MHz band and with maximum power (EIRP*) of 10 mW for the 2454-2483 MHz band.

Important: Changes or modifications to this product not authorized could void the EMC and wireless compliance and negate your authority to operate the product. This product has demonstrated EMC compliance under conditions that included the use of compliant peripheral devices and shielded cables between system components. It is important that you use compliant peripheral devices and shielded cables between system components to reduce the possibility of causing interference to radios, televisions, and other electronic devices.

FCC Compliance Statement

This device complies with part 15 of the FCC rules. Operation is subject to the following two conditions: (1) this device may not cause harmful interference, and (2) this device must accept any interference received, including interference that may cause undesired operation.

Note: This equipment has been tested and found to comply with the limits for a Class B digital device, pursuant to part 15 of the FCC Rules. These limits are designed to provide reasonable protection against harmful interference in a residential installation. This equipment generates, uses and can radiate radio frequency energy and, if not installed and used in accordance with the instructions, may cause harmful interference to radio communications. However, there is no guarantee that interference will not occur in a particular installation. If this equipment does cause harmful interference to radio or television reception, which can be determined by turning the equipment off and on, the user is encouraged to try to correct the interference by one or more of the following measures:

- Reorient or relocate the receiving antenna.
- Increase the separation between the equipment and receiver.
- Connect the equipment into an outlet on a circuit different from that to which the receiver is connected.
- Consult the dealer or an experienced radio/TV technician for help.

FCC Radiation Exposure Statement

This equipment complies with FCC RF radiation exposure limits set forth an uncontrolled environment. This transmitter must not be co-located or operating in conjunction with any other antenna or transmitter.

The device was tested and complies to measurement standards and procedures specified in FCC OET Bulletin 65, Supplement C

This equipment complies with the European Council Recommendation of 12 July 1999 on the Limitation of

Exposure of the General Public to Electromagnetic Fields [1999/519/EC].

Assembled in China

Product life is 24 months from the purchase date.

Designed by Pocketbook Int. Room 2201, 22/F.1 Duddell str. Central, Hong Kong
"Contains Reader® Mobile technology by Adobe Systems Incorporated"